

-XXX	COLOR
-BLK	BLACK
-GRN	GREEN
-GRY	GRAY
-YEL	YELLOW

***NOTE**
 Components may be sold separately.
 Please see sub-assembly part number
 drawing for details.

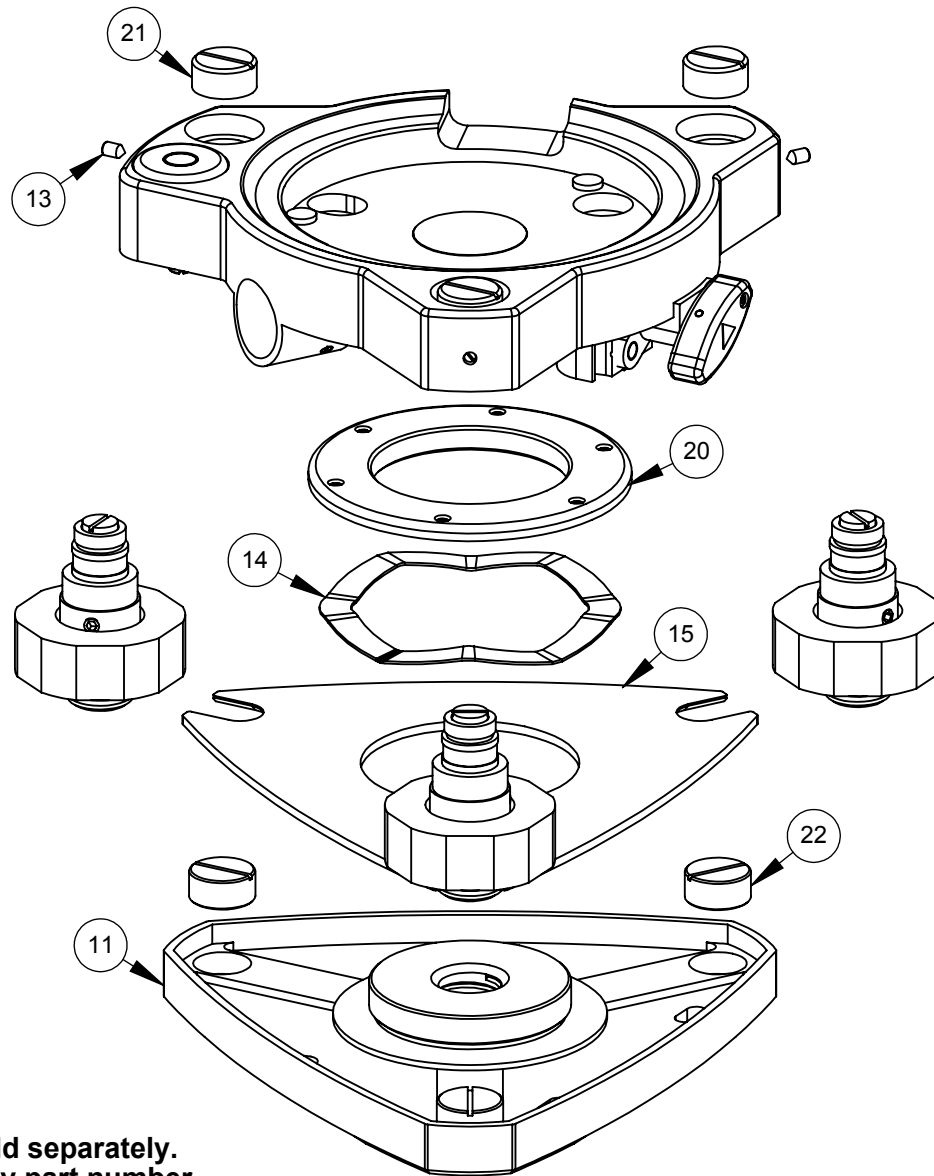
2153-04-XXX

TRIBRACH, W/O OPTICAL PLUMMET

DATE: 4/11/2011
 REV. A PAGE 1 OF 2



4155 OASIS ROAD
 REDDING, CA 96003



ITEM NO.	PartNo	DESCRIPTION	QTY
1	2152-04-001	AXLE ASSEMBLY	1
2	2152-04-002	SLIDING PIECE	1
3	2152-04-003	AXLE SCREW	1
4	2152-04-004	KNOB, LOCK, INDICATOR	1
5	2152-04-005	PIN, SPLIT	1
6	2152-04-006	SCREW, LOCK	1
7	2152-04-008	ADJUSTING SCREW, VIAL	3
8	2152-04-019	LOCK RING GROUP	1
9	2152-04-021	CIRCULAR VIAL	1
10	2152-04-023	LEVELING SCREW ASSEMBLY	3
11	2152-04-024-XXX	BASE	1
12	2152-04-025-XXX	BODY, TRIBRACH	1
13	2152-04-026	M3X5, CONESIDE SCREW	5
14	2152-04-027	WAVE WASHER, 63.8MM OD	1
15	2152-04-028	TENSION PLATE	1
16	2152-04-029-XXX	COVER	1
17	2152-04-030	WAVE WASHER, 30MM OD	1
18	2152-04-031	LOCKRING	1
19	2152-04-032	COVER, DUST LENS	1
20	2152-04-034	RING, TENSION ADJUSTING	1
21	2152-04-035	LEVELING SCREW CAP	3
22	S5-6008	CAP SCREW	3

***NOTE**

Components may be sold separately.
Please see sub-assembly part number
drawing for details.

2153-04-XXX

TRIBRACH, W/O OPTICAL PLUMMET

DATE: 4/11/2011

REV. A

PAGE 2 OF 2



4155 OASIS ROAD
REDDING, CA 96003